



betainstruments

TIL DEN ANSVARLIGE

Allerød, 2011-01-20

Vor ref.: T.11.021

**Flowserve- Schmidt Armaturen FLOWTOP™ Reguleringsventil
inkl. Haselhofer EB El. Actuator**

En af vore klienter har desværre foretaget et fejlkøb, og vi kan derfor tilbyde fra lager:

Flowserve- Schmidt Armaturen FLOWTOP™ Reguleringsventil inkl. Haselhofer El. Actuator

2 stk. DN100 PN16 V726 Flowtop Single Seat Control Valve, incl. EB Electric Actuator.

Valve Model: V726 DCVNQ

Ventildata:

Kapacitet Kvs:	100
Ventilhus:	1.6019
Ventiltrim:	1.4571
Ventilkegle:	Parabolic
Ventilkarakteristik:	Liniear
Ventilsæde:	PTFE Soft Seat
Ventilspindel pakninger:	TA-Luft Live loaded PTFE
Procestilslutning:	DIN 2635 PN16
Kvs:	100
Lækrate:	Klasse VI iht IEC/FCI
Aktuator:	Haselhofer EB 8/8 med positioner 4/20 mA
Power:	3-fase 400 VAC
Optioner:	Offshore Painting EI-heating ("tropicalization")

Normalpris/stk. DKK 43.160,00

Se følgende sider for tekniske specifikationer

BETA INSTRUMENTS ApS

SOLVANG 16 · 3450 ALLERØD · DENMARK · PHONE +45 7021 0330 · FAX +45 7021 0340 · CVR-NO. 25 79 56 87 · EMAIL: INFO@BETAINSTRUMENTS.DK

AUTORISERET **Honeywell**-DISTRIBUTØR

Pos.-No. 1

Type	DN	PN/CI	Body	Plug	Seat	kvs	Trim	Actuator
V726 DKVNA	100	16	1.0619/OOAO	POWT1GG	100	180	1.4571	EB 8/8DPM50B

2 pc. Control Valve DN 100, PN 16

Type V726 FLOWTOP Single seat-control valve
 Body D Straight way, 3-flange
 Connection type K Flange, surface form B1 acc. to EN 1092-1
 Balance V Not balanced
 Bonnet N Standard bonnet
 Stuffing box packing A PTFE rings adjustable

Body material no. 1.0619 cast steel
 Regulations for material O PED Standard
 Material certificate O No certificate
 Regulations for final test A EN 1349 Standard (IEC-534/FCI 70-2)
 Final test certificate O No certificate

Plug design P Parabolic plug
 Trim equipment O Without additional trim equipment
 Construction W Soft seat (PTFE)
 Seat leakage T Class VI IEC/FCI
 Plug guiding 1 Top guided
 Characteristic G Modified equal percentage
 Flow direction G Pressure opens the plug
 Seat 100 mm
 kvs-value 180 m³/h
 Stroke 40 mm
 Trim material no. 1.4571

Option design Offshore paint V53 Body/Actuator Manufacturerspecific

Max. diff. pressure 6,00 bar
 Nec. force 6820 N
 Actuator EB 8/8
 Elec. supply D 400 V, 50 Hz
 Transmitter P 1000 Ohm potentiometer
 Positioner M Positioning electronics, input in mA (4-20mA) incl. Transmitter
 (input signal and transmitter are not galvanically separated)
 Closing speed 50,00 mm/min
 Brake No
 Protection class IP 65
 Closing-torque switch 1 pc. adjusted at 8.000,00 N
 Closing-limit switch 2 pc.
 Opening-torque switch 1 pc. adjusted at 8.000,00 N
 Opening-limit switch 1 pc.

Spec. Accessory
 Haselhofer actuator in tropic proof version

Pos.-No. 1
TAG-no.

Type	DN	PN/CI	Body	Plug	Seat	kvs	Trim	Actuator
V726 DKVNA	100	16	1.0619/OOAO	POWT1GG	100	180	1.4571	EB 8/8DPM50B

Operating conditions

Medium Gasoil
Process data Liquid

Abs. upstream pressure		bar
Abs. downstream pressure		bar
Working temperature		C
Flow rate at operating condition		m ³ /h
Density at operating condition		kg/m ³
Abs. pressure of vapour		bar
Abs. critical pressure		bar
Calculated kv-value		m ³ /h
Operation at (stroke)		
FI-factor		
Zy-factor		
Calculated noise-level		dB(A)
Noise-level reduction		dB(A)
Correction value		dB(A)
Corrected noise-level		dB(A)
Velocity at valve inlet	(100)	m/s
Velocity in upstream pipe		m/s
Mach value (downstream)		
Cavitation - partial (pK) / maximum (mK)		
Flashing (A)		

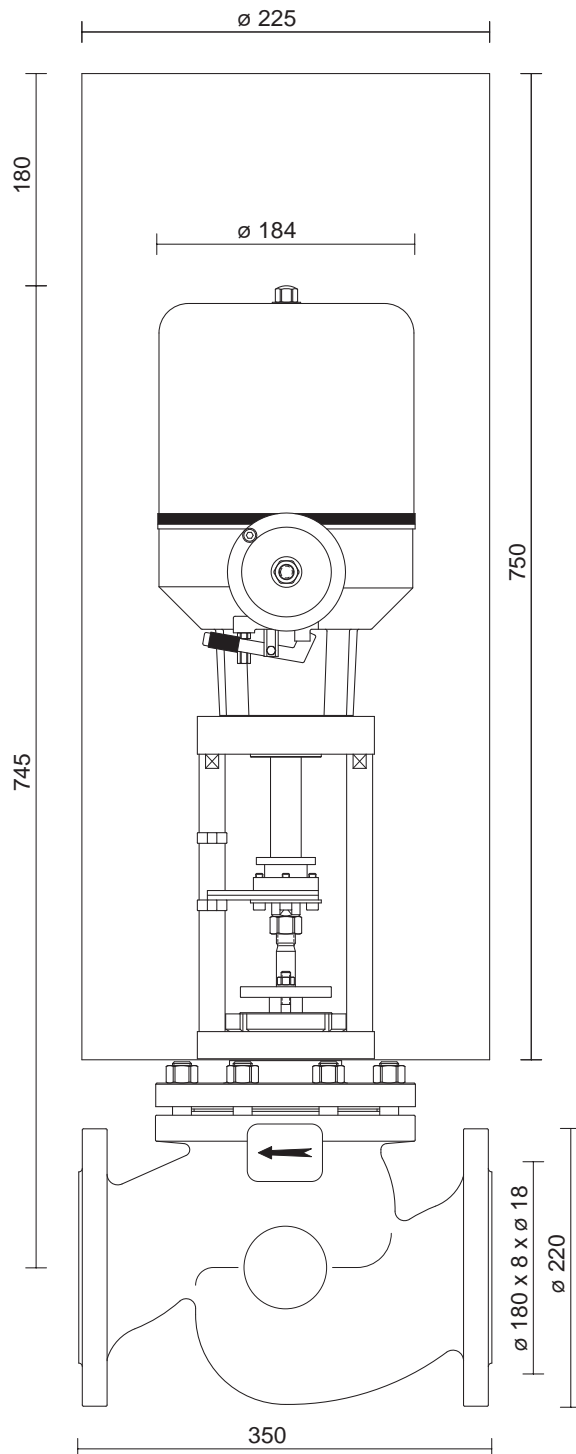
Data of actuator

Max. differential pressure	6,00 bar
Necessary force	6820 N
Force of actuator	8.000,00 N
El. connection	400 V, 50 Hz
Positioning speed	50,00 mm/min
Closing time	48 s

Project:
Project Nr: e-mail 11.08.2010
TAG-Nr.:

AVI 1003898-2, Pos. 1
17.08.2010
APoganitsch

Type	DN	PN/CI	Body	Plug	Seat	kvs	Trim	Actuator	S
V726 DKVNA	100	16	1.0619/OOAO	POWT1GG	100	180	1.4571	EB 8/8DPM50B	



VALVE
Type:
V726 FLOWTOP-Single seat-control valve
Body:
Straight way, 3-flange
Connection type:
Flange, surface form B1 acc. to EN 1092-1
Balance:
Not balanced
Bonnet
Standard bonnet

ACTUATOR
Actuator:
EB 8/8
Elec. supply:
400 V, 50 Hz
Transmitter:
1000 Ohm potentiometer
Positioner:
Positioning electronics, input in mA 4-20mA
Closing speed:0
Protection class: IP 65

ACCESSORY
Option
Spec. Accessory:
Haselhofer actuator in tropic proof version
Total weight app. 63 kg



Kasernengasse 6
A-9500 Villach

Austria
Telefon +43 (0) 4242/41 1 81 - 0
Telefax +43 (0) 4242/41 1 81 - 50 oder 51
e-mail: villach_operation@flowserve.com

BETA INSTRUMENTS ApS
Solvang 16
DK 3450 Allerød
Denmark

Abteilung / Department
Zu Hd / Att. John Sorensen

Werksbescheinigung ***Certificate of Compliance*** *nach / acc. to EN 10204 2.1*

Hiermit wird bestätigt, dass die unter nachstehender Kommission gelieferten Waren nach dem Managementsystem OHSAS 18001, ISO 14001 und ISO 9001 gefertigt und kontrolliert wurden. Die Ware entspricht in Qualität und Menge Ihrer Bestellung. Die Ventile mit E-Antrieb wurden eingestellt und elektrisch mit 4-20 mA geprüft. Die Ventile inklusive Schalter arbeiten einwandfrei wie spezifiziert.

Herewith we confirm that the delivered goods of the following commission are manufactured and inspected acc. to management system OHSAS 18001, ISO 14001 and ISO 9001. The goods of your order are complying with quality and quantity. The valves with the electrical actuator have been adjusted and tested with 4-20 mA. The valves including the switches are working as specified.

Ihre Auftragsnummer / Your order no: LO.10.815

FLS-Auftrag-Nr. / FLS-order no: 1024919

Villach, 30. November 2010

i.V. Schifferl
Qualitätssicherung /Werksachverständiger
Quality department / Authorized representative

Dieses Attest ist elektronisch erstellt und auch ohne Unterschrift gültig.
This certificate is generated electronically and also valid without signature.



AVEN

MOORE
Type: 1000
Size: 1/2" NPT
Material: 316 SS
Pressure: 150 PSI
Temperature: 300 F
Weight: 15 lbs
Dimensions: 10" H x 6" W x 6" D

Attention
Attention
Attention

THINK
ELECTRIC

EPAL